

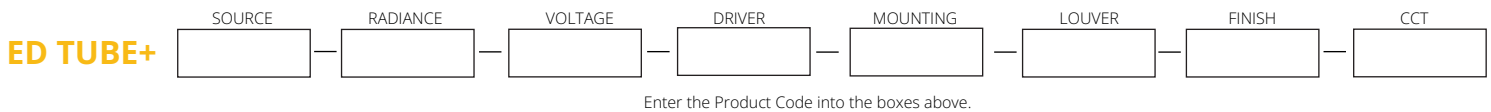


FEATURES:

- ✓ Architectural luminaire with direct lighting distribution.
- ✓ Light source: COB LED.
- ✓ A high efficiency integral louver combined with an opal lens insert provides excellent lighting distribution with a 40° beam.
- ✓ Circular internal louver is available in a wide range of finishes.
- ✓ Aluminum body of the luminaire comes with a built-in-driver, available in a black or white finish.
- ✓ Suitable for surface mounted and suspended installations.
- ✓ LED spot is rated for 60,000 hrs. L80 with +90 CRI.
- ✓ Has a proven record in office, commercial and retail installations.
- ✓ Custom modifications are available.
- ✓ ED luminaires are certified to CSA and UL standards.

reinventlight

SPECIFICATION:



SOURCE

- 15 W
- 20 W
- 25 W

RADIANCE

- DD - Direct

VOLTAGE

- UNV - 120/277V

DRIVER

- ST - On/Off
 - DL - 0-10V Dim (1%)
 - DA4 - DALI D4i
 -
- Specify dimming protocol.

MOUNTING

- S6B - 6 ft Cord BK¹
 - S6W - 6 ft Cord WH¹
 - S ft²
 - R2B - Stem 2 ft BK¹
 - R2W - Stem 2 ft WH¹
 - R ft²
 - SF - Surface Mount
1. Canopy match the Cord color.
2. Specify Suspension length and color.

LOUVER

- LB - Black
- LW - White
- LS - Silver

FINISH

- BK - Black¹
 - WH - White²
1. RAL 9005
2. RAL 9003

CCT

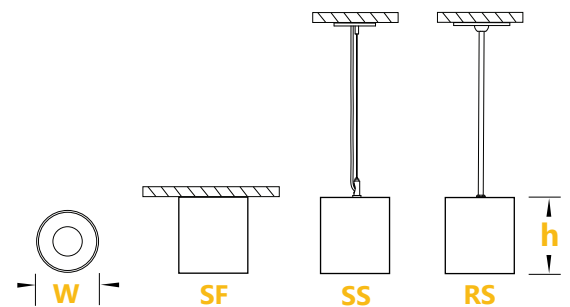
- 30K - 3000 Kelvin/90CRI
 - 35K - 3500 Kelvin/90CRI
 - 40K - 4000 Kelvin/90CRI
 -
- Specify required CCT.

DIMENSIONS:

Width	Height
4.5 in	6.0 in

LUMEN OUTPUT:

Watts	30K	35K	40K
15 W	1400 lm	1430 lm	1460 lm
20 W	1910 lm	1950 lm	1990 lm
25 W	2350 lm	2400 lm	2450 lm



Project:

Type: