

## FEATURES:

- ✓ Architectural acoustic luminaire with direct/indirect lighting distribution.
- ✓ Made from recyclable plastic material available in different thicknesses.
- ✓ Class1 Fire rated with 0.7 Noise Reduction Coefficient / 1" Acoustic.
- ✓ Light source: LED boards.
- ✓ Diffused illumination is provided by a frosted opal lens.
- ✓ Extruded aluminum body comes with a built-in-driver and available in a black or white finish.
- ✓ LED strips are rated for 60,000 hrs. L80 with +90 CRI.
- ✓ Has a proven record in office, commercial and retail installations.
- ✓ Custom modifications are available.
- ✓ ED luminaires are certified to CSA and UL Standards.

reinventlight

## SPECIFICATION:

**Sonic VECTOR+**  -  -  -  -  -  -  -  -  -  -  -  -

Enter the Product Code into the boxes above

### TYPE

- FR - Flush Regular
- FV - Flush V-Cut
- FS - Square Edge
- FC - Curved Edge

### HEIGHT

- 12 in
- 16 in
- 24 in

### SIZE

- 4 ft
  - 6 ft
  - 8 ft
  -
- Specify custom size.

### SOURCE

- 5 W/ft
- 7 W/ft
- 10 W/ft

### RADIANCE

- DD - Direct<sup>1</sup>
  - ID - Indirect<sup>2</sup>
  - UD - Uneven<sup>3</sup>
1. 100%Down  
2. 100%Up  
3. 70%Down/30%Up

### VOLTAGE

- UNV - 120/277V
  - 347V<sup>1</sup>
1. Verify availability.

### DRIVER

- ST - On/Off
  - DL - 0-10V Dim (1%)
  - DLO - 0-10V Dim (to Off)
  - DL2 - 0-10V Dim (TW)
  - CV - Constant Voltage (RGBW)
  -
- Specify dimming protocol.

### MOUNTING

- S6B - 6 ft Cord BK<sup>1</sup>
  - S6W - 6 ft Cord WH<sup>1</sup>
  - S  ft<sup>2</sup>
1. Canopy match the Cord Color  
2. Specify Suspension Length/color.

### LENS

- OP - Opal

### ED VECTOR+ FINISH

- BK - Black<sup>1</sup>
  - WH - White<sup>2</sup>
1. RAL 9005  
2. RAL 9016

### CCT

- 30K - 3000 Kelvin/90CRI
  - 35K - 3500 Kelvin/90CRI
  - 40K - 4000 Kelvin/90CRI
  - RGBW<sup>1</sup>
  - TW - Tunable White (27K-65K)<sup>2</sup>
  -
1. Available with CV.  
2. Available with DL2.  
Specify required CCT.

## ACOUSTIC FINISH

Specify additional color for Two-Tone, for example 04/11.



## LUMEN OUTPUT W/ft:

Watts	30K	35K	40K
5 W	515 lm	525 lm	535 lm
7 W	720 lm	735 lm	750 lm
10 W	1030 lm	1050 lm	1080 lm

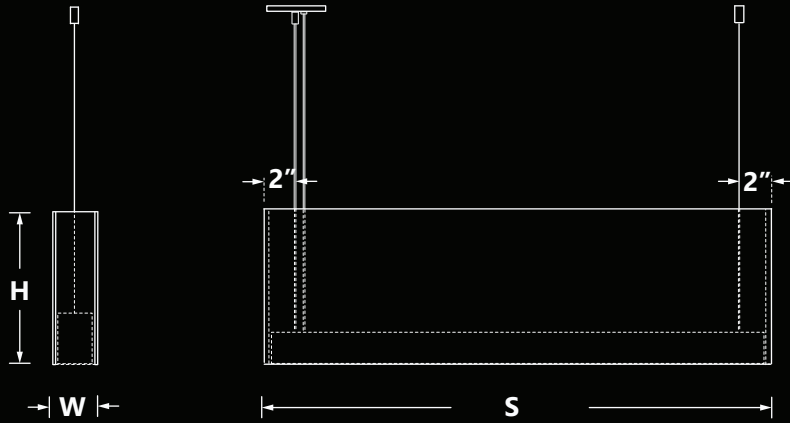


Declare.

Project:

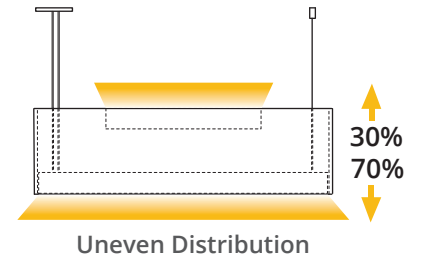
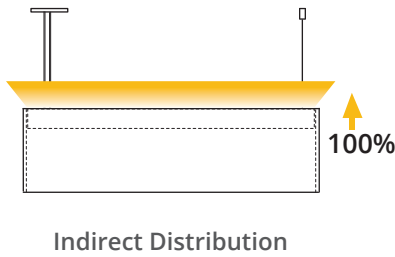
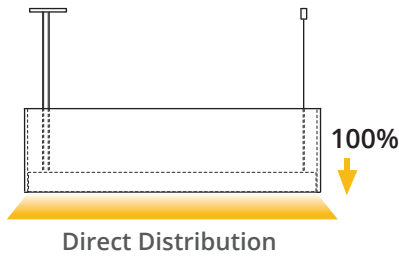
Type:

SIZE:

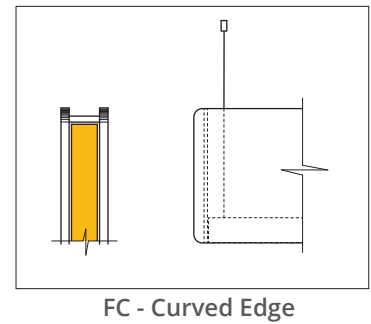
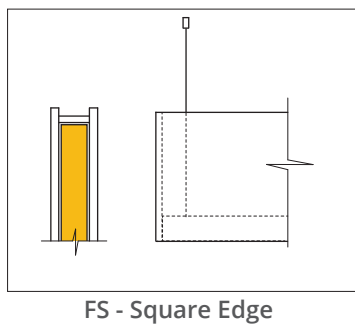
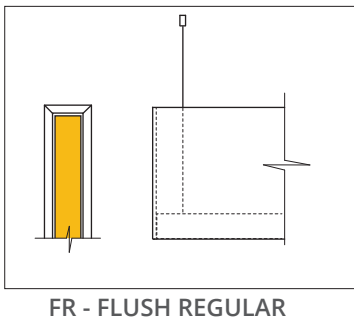


W-Width	3.00 in
H-Height	S-Size
12 in = 11.75 in	4 ft = 47.75 in
16 in = 15.75 in	6 ft = 71.75 in
24 in = 23.75 in	8 ft = 95.75 in

RADIANCE:



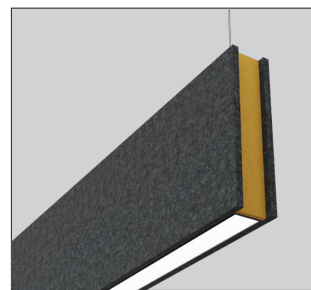
TYPE:



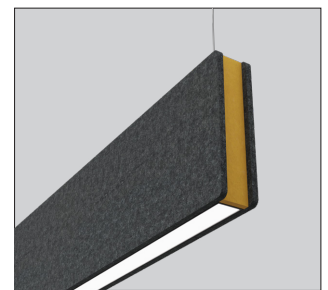
FR - Regular  
04



FR - Two-Tone  
04/11



FS - Square Edge  
04/11



FC - Curved Edge  
04/11