

## FEATURES:

- ✓ Architectural luminaire with direct distribution.
- ✓ Light source: LED board or LED strip.
- ✓ Even illumination is provided by a high-efficiency opal lens.
- ✓ Suitable for surface-mounted, suspended, and recessed installations.
- ✓ Extruded aluminium body comes with a standard black or white finish.
- ✓ Also available in custom color option.
- ✓ LED strips are rated for 60,000 hrs. (L80) with 90+ CRI.
- ✓ Proven performance in office, commercial, and retail installations.
- ✓ Custom modifications are available.
- ✓ ED luminaires are certified to CSA and UL standards.

reinventlight

## SPECIFICATION:

ED TRIAD+  -  -  -  -  -  -  -  -  -  -

Enter the Product Code into the boxes above.

### SIZE

\_\_\_\_\_ ft  
2-8 ft Arm length.

### SOURCE

- 5 W/ft
- 7 W/ft
- 10 W/ft

### RADIANCE

- DD - Direct

### VOLTAGE

- UNV - 120/277V
  - 347V <sup>1</sup>
1. Verify availability.

### DRIVER

- ST - On/Off
  - DL - 0-10V Dim (1%)
  - DLO - 0-10V Dim (to Off)
  - DL2 - 0-10V Dim (TW)
  - DLA - 0-10V Dim (Aux)
  - DA4 - DALI D4i (TW)
  - CV - Constant Voltage (RGBW)
  -
- Specify dimming protocol.

### MOUNTING

- S6B - 6ft Cord BK <sup>1</sup>
  - S6W - 6ft Cord WH <sup>1</sup>
  - S  ft <sup>2</sup>
  - SF - Surface Mount
  - RT - Recessed Trimless
1. Canopy match the Cord color.  
2. Specify Suspension length/color.

### LENS

- OP - Opal

### FINISH

- BK - Black<sup>1</sup>
  - WH - White<sup>2</sup>
  - CF/RAL
1. RAL 9005  
2. RAL 9016  
Specify required RAL number.

### CCT

- 30K - 3000 Kelvin/90CRI
  - 35K - 3500 Kelvin/90CRI
  - 40K - 4000 Kelvin/90CRI
  - RGBW<sup>1</sup>
  - TW - Tunable White (27K-65K)<sup>2</sup>
  -
1. Available with DMX or CB.  
2. Available with DL2, DA4 or CB.  
Specify required CCT.

### OPTIONS

- No Options<sup>1</sup>
  - EC - Emergency Circuit
  - CB - Casambi Bluetooth (TW, RGBW)
  - DMX - DMX (RGBW)
  - AWN - Athena Wireless Node (DLA)
1. Leave empty.

## LUMEN OUTPUT:

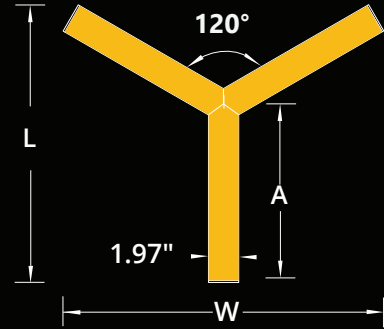
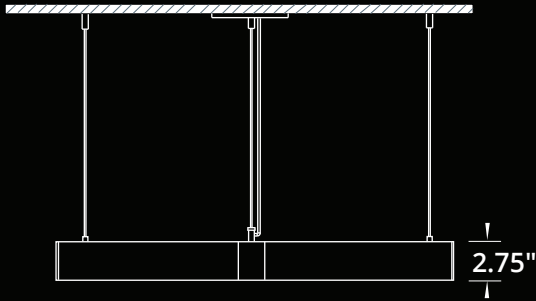
Watts	30K	35K	40K
20 W	2070 lm	2125 lm	2180 lm
30 W	3065 lm	3150 lm	3235 lm
40 W	4086 lm	4200 lm	4313 lm



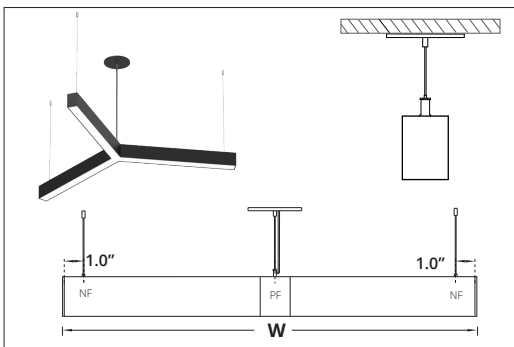
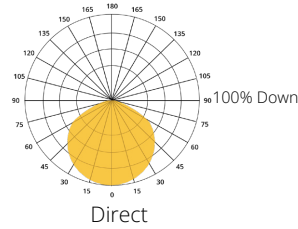
Project:

Type:

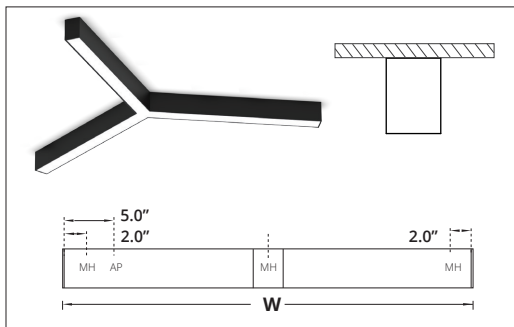
**SIZE:**



**RADIANCE:**



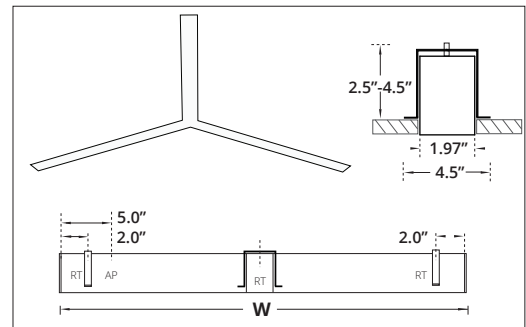
**SUSPENDED**  
 PF - Power Feed, center of the fixture.  
 NF - Non Power Feed



**SURFACE MOUNT**  
 AP - Access Power Plate  
 MH - Mounting Hole

Size	A	L x W <sup>1</sup>
2 ft	24.45 in	37.53 x 43.33
3 ft	35.45 in	54.03 x 62.39
4 ft	48.20 in	73.15 x 84.47
5 ft	59.20 in	89.65 x 103.52
6 ft	71.95 in	108.78 x 125.61
7 ft	82.95 in	125.28 x 144.66
8 ft	95.70 in	144.40 x 166.74

A - Arm Length  
 L - Total Length  
 W - Total Width  
 1. All dimensions are in Inches.



**RECESSED TRIMLESS**  
 AP - Access Power Plate  
 RT - Recessed Trimless Bracket  
 Cutout Dimensions = Total Length x Width of Extrusion.