
**FEATURES:**

- ✓ Architectural luminaire with direct distribution.
- ✓ Light source: 11" LED modular board.
- ✓ Dark Optic provides superior lighting distribution with precise low-glare illumination.
- ✓ Offered with Flood 50°/10UGR or Wide Flood 80°/15UGR internal optics.
- ✓ Suitable for surface-mounted, suspended and recessed installations.
- ✓ Extruded aluminum body comes with a standard black or white finish.
- ✓ Also available in custom color option.
- ✓ LEDs are rated for 60,000 hrs. L80 with +90 CRI.
- ✓ Proven performance in office, commercial and retail installations.
- ✓ Custom modifications are available.
- ✓ ED luminaires are certified to CSA and UL standards.

reinventlight

**SPECIFICATION:**

**ED SQUARE+**  -  -  -  -  -  -  -  -  -  -  -  -

Enter the Product Code into the boxes above.

<b>TYPE</b> <input type="checkbox"/> DO - Dark Optic	<b>SIZE</b> <input type="checkbox"/> <input type="text"/> ft 2-8 ft Arm length.	<b>SOURCE</b> <input type="checkbox"/> 3 W/ft <input type="checkbox"/> 5 W/ft <input type="checkbox"/> 8 W/ft	<b>RADIANCE</b> <input type="checkbox"/> DD - Direct	<b>VOLTAGE</b> <input type="checkbox"/> UNV - 120/277V <input type="checkbox"/> 347V <sup>1</sup> <small>1. Verify availability.</small>	<b>DRIVER</b> <input type="checkbox"/> ST - On/Off <input type="checkbox"/> DL - 0-10V Dim (1%) <input type="checkbox"/> DLO - 0-10V Dim (to Off) <input type="checkbox"/> DLA - 0-10V Dim (Aux) <input type="checkbox"/> DA4 - DALI D4i <input type="checkbox"/> <input type="text"/> <small>Specify dimming protocol.</small>	<b>MOUNTING</b> <input type="checkbox"/> S6B - 6ft Cord BK <sup>1</sup> <input type="checkbox"/> S6W - 6ft Cord WH <sup>1</sup> <input type="checkbox"/> S <input type="text"/> Feet <sup>2</sup> <input type="checkbox"/> SF - Surface Mount <input type="checkbox"/> RT - Recessed Trimless <small>1 Canopy match the Cord color. 2 Specify Suspension length/color.</small>
<b>BEAM</b> <input type="checkbox"/> BF - Flood 50° <input type="checkbox"/> BW - Wide 80°	<b>REFLECTOR</b> <input type="checkbox"/> SB - Black <input type="checkbox"/> SW - White <input type="checkbox"/> SR - Red <input type="checkbox"/> SL - Silver <input type="checkbox"/> SG - Gold <input type="checkbox"/> SM - Gunmetal	<b>FINISH</b> <input type="checkbox"/> BK - Black <sup>1</sup> <input type="checkbox"/> WH - White <sup>2</sup> <input type="checkbox"/> CF/RAL <input type="text"/> <small>1. RAL 9005 2. RAL 9016 Specify required RAL number.</small>	<b>CCT</b> <input type="checkbox"/> 30K - 3000 Kelvin/90CRI <input type="checkbox"/> 35K - 3500 Kelvin/90CRI <input type="checkbox"/> 40K - 4000 Kelvin/90CRI <input type="checkbox"/> <input type="text"/> <small>Specify required CCT.</small>	<b>OPTIONS</b> <input type="checkbox"/> No Options <sup>1</sup> <input type="checkbox"/> EC - Emergency Circuit <input type="checkbox"/> CB - Casambi Bluetooth (DA4) <input type="checkbox"/> AWN - Athena Wireless Node (DLA) <small>1 Leave empty.</small>		

**LUMEN OUTPUT W/ft:**

Watts	30K	35K	40K
3 W	395 lm	405 lm	415 lm
5 W	660 lm	675 lm	690 lm
8 W	1050 lm	1080 lm	1130 lm

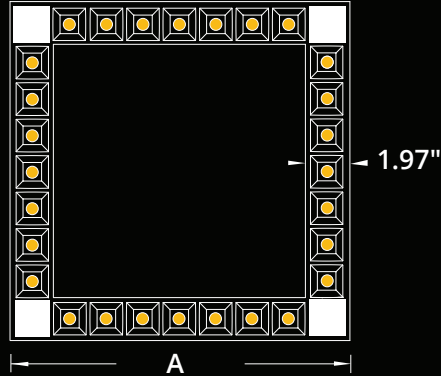
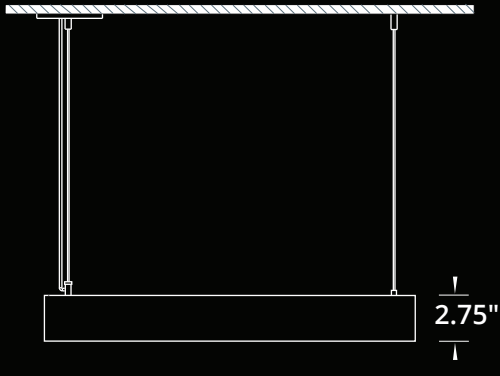


Declare.

Project:

Type:

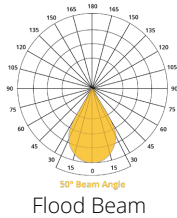
**SIZE:**



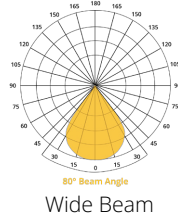
Size	A
2 ft	26.50 in
3 ft	37.50 in
4 ft	48.50 in
5 ft	59.50 in
6 ft	70.50 in
7 ft	81.50 in
8 ft	92.50 in

A - Arm Length includes the filler plate.

**BEAM ANGLE:**



Flood Beam



Wide Beam

**REFLECTORS:**

**SQUARE**



WHITE



SILVER



BLACK



GOLD

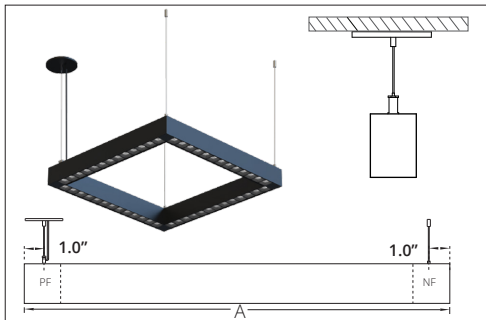


RED

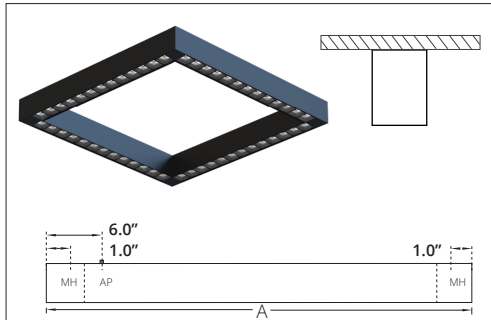


GUNMETAL

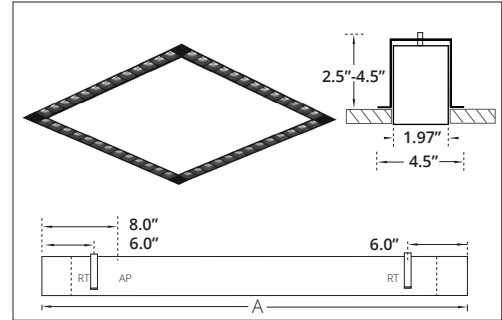
**MOUNTING:**



**SUSPENDED**  
PF - Power Feed  
NF - Non Power Feed



**SURFACE MOUNT**  
MH - Mounting Hole  
AP - Access Power Plate



**RECESSED TRIMLESS**  
RT - Recessed Trimless Bracket  
AP - Access Power Plate  
Cutout Dimensions = Arm Length x Width of Extrusion.