



LED



About Us

Since 2003, Edison Lighting Group Ltd. has blended technology and functionality to offer innovative design solutions. Our range includes custom one-offs to ready-to-ship products, crafted through in-house designing, fabrication, assembly and lighting calculations.

We prioritize the vision of architects and lighting designers, ensuring a customer-centric approach in our products and services. Our balance of creativity and technical skills makes us a trusted partner in illuminating spaces.



In-House Assembly

Our assembly team executes precision and craftsmanship, driven by a goal-oriented teamwork spirit. This enables us to manage large scale projects and high-volume orders.

Each fixture assembled highlights our commitment to quality, representing the excellence we continually strive for.



In-House Manufacturing

In-house fabrication and advanced CNC technology ensures accuracy and fast cycle times, facilitating swift project turnaround and scalability.

Our meticulous approach to manufacturing reflects our dedication to providing reliable and superior lighting solutions, ensuring every project's success regardless of its scale.



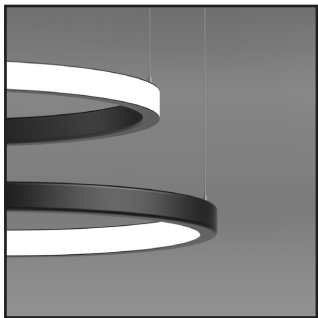
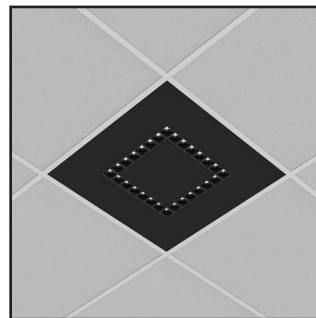
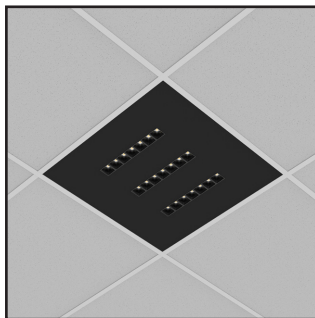
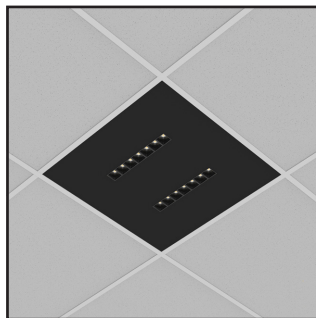
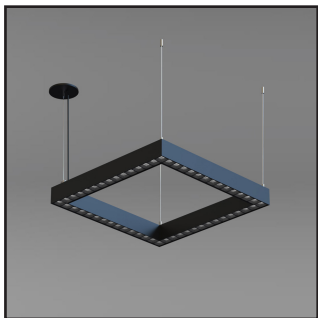
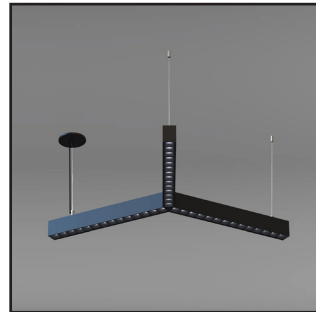
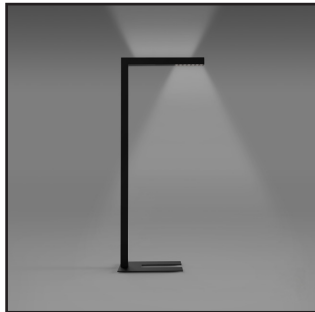
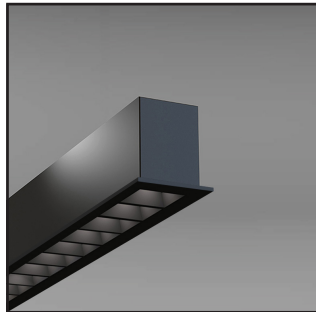
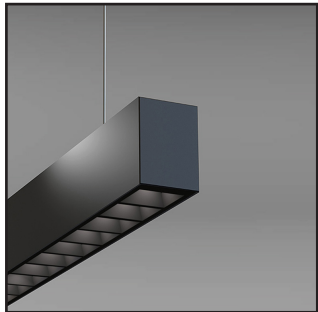
Quality and Delivery

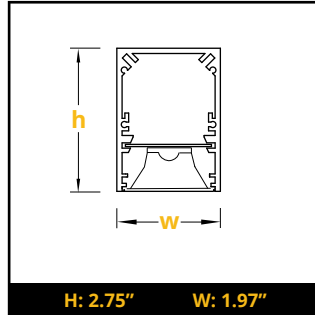
Rigorous inspections, quality control, and light testing ensures superior product quality.

Every order that goes through Edison is closely inspected before packaging and shipping, further showcasing our commitment to excellence.

At Edison Lighting, quality isn't just a standard, it's a guarantee that we extend to our clients.



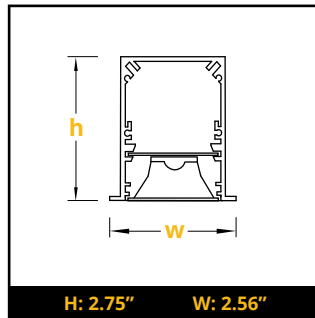
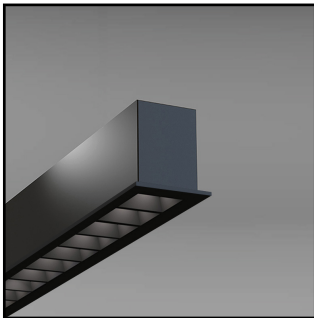




PRODUCT FEATURES

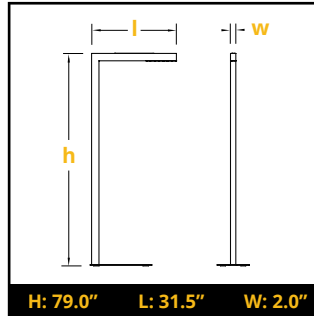
- Architectural linear luminaire with direct or direct/indirect lighting distribution.
- Dark Optic provides superior lighting distribution with precise low glare illumination.
- Offered with Regular 50°/10UGR, Flood 80°/15UGR or Asymmetric optic.
- Available for row mounted installations in various lengths.
- Suitable for surface, suspended, recessed or wall mounted installations.
- Extruded aluminum body is available in white, black or grey finish.
- Custom finishes and modifications are available.
- 5WFT/640lm/40K, 7WFT/895lm/40K, 10WFT/1275lm/40K, +90CRI L80/60,000hrs.

ED VECTOR+ RS (Dark Optic)



PRODUCT FEATURES

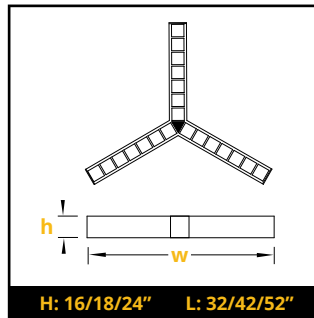
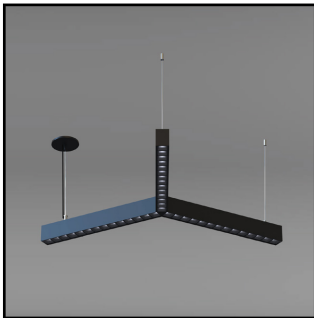
- Architectural recessed linear luminaire with direct lighting distribution.
- Dark Optic provides superior lighting distribution with precise low glare illumination.
- Offered with Regular 50°/10UGR, Flood 80°/15UGR or Asymmetric optic.
- Available for row mounted installations in various lengths.
- Suitable for recessed installation into Drywall or T-Bar.
- Extruded aluminum body is available in white, black or grey finish.
- Custom finishes and modifications are available.
- 5WFT/640lm/40K, 7WFT/895lm/40K, 10WFT/1275lm/40K, +90CRI L80/60,000hrs.



PRODUCT FEATURES

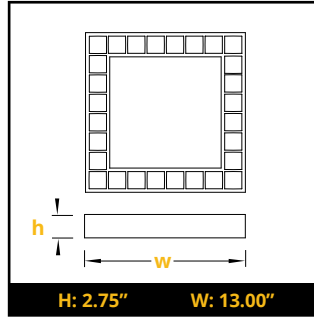
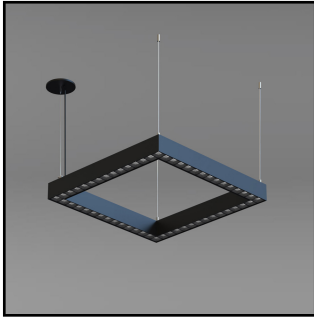
- Architectural floor luminaire with direct/indirect lighting distribution.
- Direct light is provided by Dark Optic with precise low glare illumination.
- Offered with Regular 50°/10UGR or Flood 80°/15UGR internal optic.
- Controlled by on/off switch or optional Casambi Bluetooth dimming module.
- Comes with standard 8-foot plug-in cord.
- Extruded aluminum body is available in white, black or grey finish.
- Custom modifications are available.
- 20W/2385lm/40K, 30W/3580lm/40K, +90CRI L80/60,000hrs.

ED TRIAD+ (Dark Optic)



PRODUCT FEATURES

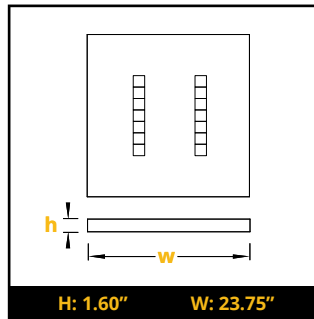
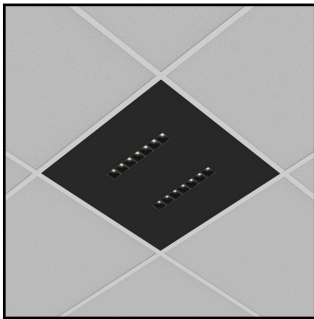
- Architectural Y-shaped luminaire with direct lighting distribution.
- Dark Optic provides superior lighting distribution with precise low glare illumination.
- Offered with Regular 50°/10UGR, or Flood 80°/15UGR internal optic.
- Available in three standard sizes.
- Suitable for surface, suspended or wall mounted installations.
- Extruded aluminum body is available in white, black or grey finish.
- Custom finishes and modifications are available.
- 25W/3075lm/40K, 50W/6150lm/40K, 75W/9225lm/40K, +90CRI L80/60,000hrs.



PRODUCT FEATURES

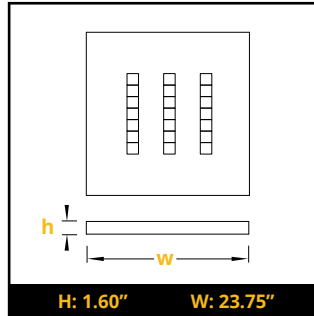
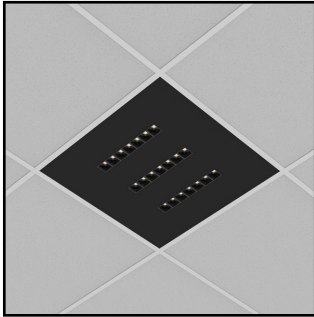
- Architectural luminaire with direct or direct/indirect lighting distribution.
- Dark Optic provides superior lighting distribution with precise low glare illumination.
- Offered with Regular 50°/10UGR, or Flood 80°/15UGR internal optic.
- Available in three standard sizes.
- Suitable for surface, suspended or wall mounted installations.
- Extruded aluminum body is available in white, black or grey finish.
- Custom finishes and modifications are available.
- 25W/3075lm/40K, 50W/6150lm/40K, 75W/9225lm/40K, +90CRI L80/60,000hrs.

ED LINE 2+ (Dark Optic)



PRODUCT FEATURES

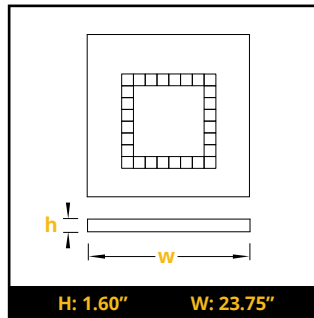
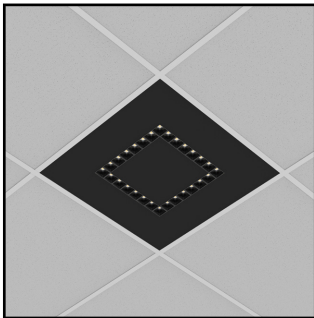
- Architectural recessed luminaire with direct lighting distribution.
- Dark Optic provides superior lighting distribution with precise low glare illumination.
- Two 7 cell reflectors are available in several standard finishes.
- Offered with Regular 50°/10UGR or Flood 80°/15UGR internal optic.
- Low profile steel body housing contains a built-in driver.
- Suitable for non-insulated recessed installations into T-Bar or drywall.
- Custom modifications are available.
- 20W/2550lm/40K, 30W/3825lm/40K, +90CRI L80/60,000hrs.



PRODUCT FEATURES

- Architectural recessed luminaire with direct lighting distribution.
- Dark Optic provides superior lighting distribution with precise low glare illumination.
- Three 7 cell reflectors are available in several standard finishes.
- Offered with Regular 50°/10UGR or Flood 80°/15UGR internal optic.
- Low profile steel body housing contains a built-in driver.
- Suitable for non-insulated recessed installations into T-Bar or drywall.
- Custom modifications are available.
- 20W/2550lm/40K, 30W/3825lm/40K, 40W/5100lm/40K, +90CRI L80/60,000hrs.

ED LINE 4+ (Dark Optic)

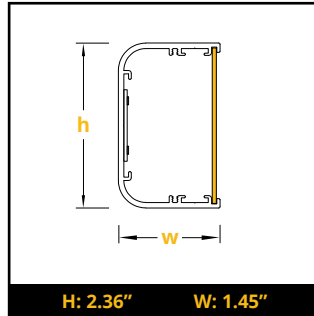
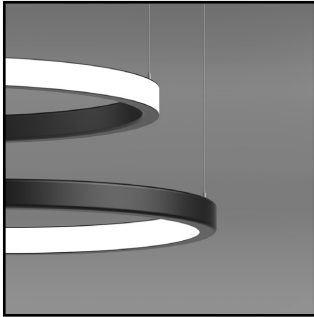


PRODUCT FEATURES

- Architectural recessed luminaire with direct lighting distribution.
- Dark Optic provides superior lighting distribution with precise low glare illumination.
- Four 7 cell reflectors are available in several standard finishes.
- Offered with Regular 50°/10UGR or Flood 80°/15UGR internal optic.
- Low profile steel body housing contains a built-in driver.
- Suitable for non-insulated recessed installations into T-Bar or drywall.
- Custom modifications are available.
- 20W/2550lm/40K, 30W/3825lm/40K, 40W/5100lm/40K, +90CRI L80/60,000hrs.



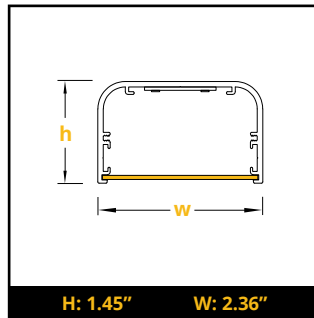




PRODUCT FEATURES

- Architectural round luminaire with direct-indirect lighting distribution.
- Diffused illumination is provided by high efficiency frosted opal lens.
- Sleek body of the luminaire is made from curved aluminum profile.
- Remote driver is mounted in round ceiling canopy or optional rectangular enclosure.
- Suitable for suspended or surface mounted installations.
- Extruded aluminum body is available in white, black or grey finish.
- Custom modifications are available.
- 25W/2295lm/40K, 50W/4590lm/40K, 75W/6890lm/40K, +90CRI L80/50,000hrs.

ED ORBIT+ S

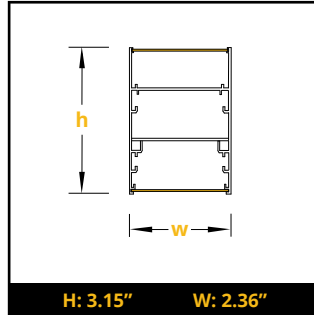


PRODUCT FEATURES

- Architectural S-Shaped luminaire with direct lighting distribution.
- Diffused illumination is provided by high efficiency frosted opal lens.
- Sleek body of luminaire is made from curved aluminum profile.
- Remote driver enclosure can be surface mounted or installed in a ceiling cavity.
- Suitable for suspended installations in four standard sizes.
- Extruded aluminum body is available in white, black or grey finish.
- Custom modifications are available.
- 5WFT/460lm/40K, 7WFT/642lm/40K, 10WFT/918lm/40K, +90CRI L80/50,000hrs.

ED RING+

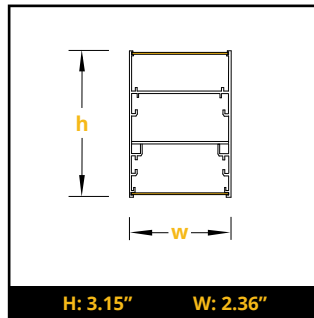
reinventlight



PRODUCT FEATURES

- Architectural luminaire with direct or direct-indirect lighting distribution.
- Diffused illumination is provided by high efficiency frosted opal lens.
- Sleek body of luminaire combines two aluminum sides with laser cut metal top enclosure and integrated LED driver.
- Suitable for suspended or surface mounted installations.
- Extruded aluminum body is available in white, black or grey finish.
- Custom finishes and modifications are available.
- 25W/2750lm/40K, 50W/5450lm/40K, 75W/8175lm/40K, +90CRI L80/60,000hrs.

ED CURVES+

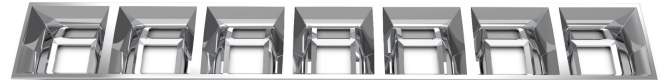


PRODUCT FEATURES

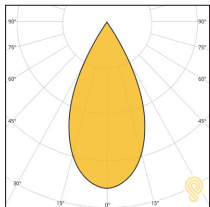
- Architectural curved system with direct or direct-indirect lighting distribution.
- Diffused illumination is provided by high efficiency frosted opal lens.
- Sleek body of luminaire combines two aluminum sides with laser cut metal top enclosure and integrated LED driver.
- Suitable for suspended or surface mounted installations.
- Extruded aluminum body is available in white, black or grey finish.
- Custom finishes and modifications are available.
- 5WFT/535lm/40K, 7WFT/750lm/40K, 10WFT/1080lm/40K, +90CRI L80/60,000hrs.

Dark Optic

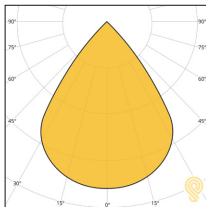
- Provides superior lighting distribution with precise low glare illumination.
- Unique technology is based on engineered optic lens used in combination with 7 cell reflector.
- Offered with Regular 50°/10UGR, Flood 80°/15UGR or Asymmetric lenses.
- Standard reflectors are available with matte white, black or silver finish.
- Suitable for office, institutional, hospitality and retail spaces.
- Declare label guarantees meeting the requirements of leading green building standards.



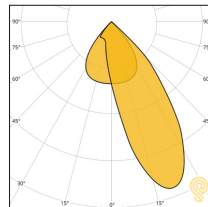
Beam Angles:



Regular



Flood



Asymmetric



📍 1303 Ringwell Drive, Unit #2,
Newmarket, ON L3Y 8T9, Canada

☎ 905.830.0339
☎ 1.800.667.9281

🌐 www.edisonlighting.ca
✉ info@edisonlighting.ca



reinvent**light**