
FEATURES:

- ✓ Architectural luminaire with direct or direct-indirect distribution.
- ✓ Light source: LED board (5.5"/11"/22"/24").
- ✓ Diffused illumination is provided by high efficiency frosted opal lens.
- ✓ Suitable for surface, suspended and recessed installations.
- ✓ Extruded aluminum body comes with black or white finish.
- ✓ Also available with custom color options.
- ✓ LED Strips are rated for 60,000hrs. L80 with +90 CRI.
- ✓ Has a proven record in office, commercial and retail installations.
- ✓ Custom modifications are available.
- ✓ ED luminaires are certified to CSA and UL Standards.

reinventlight

SPECIFICATION:

ED HEXAGON+ — — — — — — — — — —

Enter the Product Code into the boxes above.

SIZE

- 2 Feet
- 3 Feet
- 4 Feet
- *

*Specify required size.

SOURCE

- 25WLED
- 50WLED
- 75WLED*

*Available for 3 & 4 Feet.

RADIANCE

- DD - Direct (100%Down)
- ID - Indirect (100%Up)**
- UD - Uneven(70%Down/30%Up)**
- IL - Inner Lit (100% Inward)
- OL - Outer Lit (100%Outward)

*Light Distribution.

**Suspended Configuration only.

VOLTAGE

- 120V
- 277V
- 347V*

*Not available for all configurations.

DRIVER

- ST - Standard (Non-Dimming)
- DL - 0-10V Dimming (1%)
- DA - DALI
- *

* Please specify dimming method (TRIAC).

MOUNTING

- S4-Suspension 4Feet
- S6-Suspension 6Feet
- S Feet*
- WM - Wall Mount
- SF - Surface Mount
- RT - Recessed Trimless

*Please specify required Length.

LENS

- OP - Opal

FINISH

- BK - Black
- WH - White
- CF - Custom RAL#

CCT

- 30K/90CRI - 3000Kelvin
- 35K/90CRI - 3500Kelvin
- 40K/90CRI - 4000Kelvin
- TW - Tunable White** (2700K-6500K)

*Other options are available.

**Available with (0-10)Volts or Dali controls.

OPTIONS

- No Options*
- DC - Dual Circuit**

*Leave Empty.

**Down /Up Control separately.

LUMEN OUTPUT:

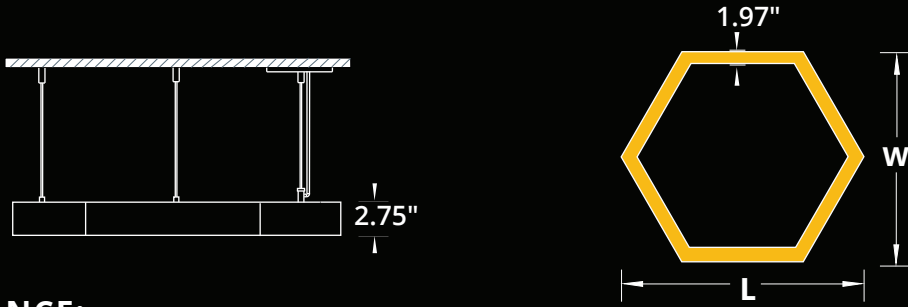
Watts	30K	35K	40K
25W	2610 lm	2650 lm	2690 lm
50W	5120 lm	5250 lm	5380 lm
75W	7670 lm	7870 lm	8070 lm



Project:

Type:

SIZE:



Size	Width	Length
2 Feet	21.65 Inch	25.00 Inch
3 Feet	31.17 Inch	36.00 Inch
4 Feet	40.56 Inch	46.88 Inch

RADIANCE:

DIRECT DISTRIBUTION



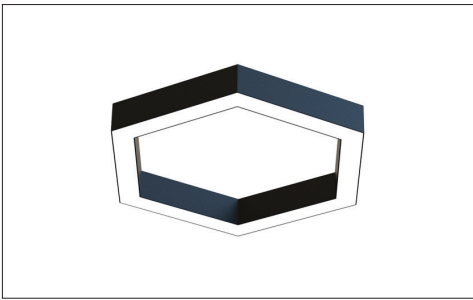
INDIRECT DISTRIBUTION



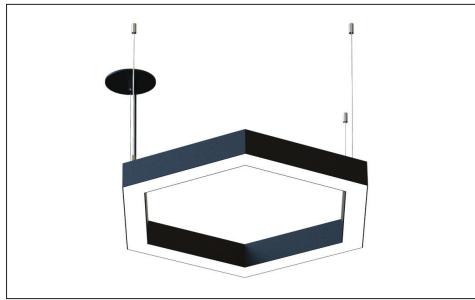
UNEVEN DISTRIBUTION



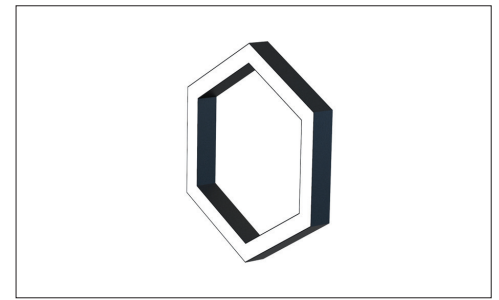
MOUNTING:



SURFACE MOUNT

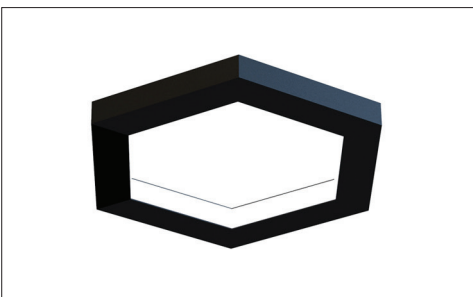


SUSPENDED



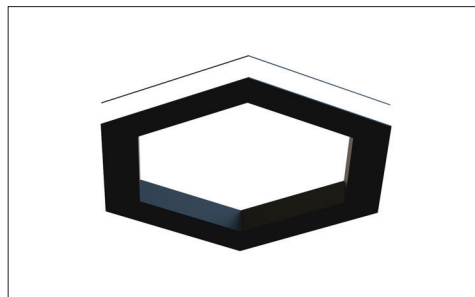
WALL MOUNT

*Direct Distribution only.



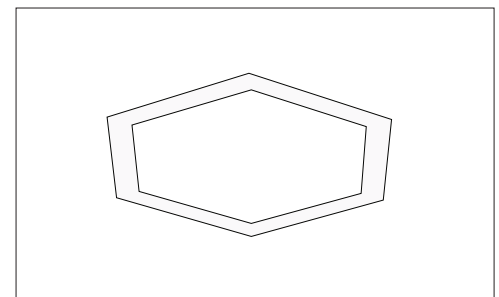
INNER LIT

*Direct Distribution only.



OUTER LIT

*Direct Distribution only.



RECESSED

*Direct Distribution only.