
**FEATURES:**

- ✓ Architectural linear luminaire with direct or direct/indirect distribution.
- ✓ Light source: LED board or LED strip.
- ✓ Even illumination is provided by a variety of high-efficiency optic lenses.
- ✓ Available for row mounted installations in various lengths.
- ✓ Suitable for surface, suspended, recessed or wall mounted installations.
- ✓ Extruded aluminum body comes with a standard black or white finish.
- ✓ Also available with various custom color options.
- ✓ LED strips are rated for 60,000 hrs. L80 with +90 CRI.
- ✓ Has a proven record in office, commercial and retail installations.
- ✓ Custom modifications are available.
- ✓ ED luminaires are certified to CSA and UL standards.

reinventlight

**SPECIFICATION:**

**ED VECTOR+**  —  —  —  —  —  —  —  —  —  —

Enter the Product Code into the boxes above.

**SIZE**

 \_\_\_\_\_ ft  
 1-8 ft  
 Continuous Run  
 (0.5 ft Increments)

**SOURCE**

- 5 W/ft
- 7 W/ft
- 10 W/ft

**RADIANCE**

- DD - Direct
- ID - Indirect only
- UD - Uneven<sup>1</sup>

1. Available in sizes 4 ft and up.

**VOLTAGE**

- UNV - 120/277V
- 347V<sup>1</sup>

1. Verify availability.

**DRIVER**

- ST - On/Off
- DL - 0-10V Dim (1%)
- DLO - 0-10V Dim (to Off)
- DL2 - 0-10V Dim (TW)
- DLA - 0-10V Dim (Aux)
- DA4 - DALI D4i
- CV - Constant Voltage (RGBW)
- 

Specify dimming protocol.

**MOUNTING**

- S6B - 6 ft Cord BK<sup>1</sup>
- S6W - 6 ft Cord WH<sup>1</sup>
- S  ft<sup>2</sup>
- WM - Wall Mount
- WF - Wall Flush
- SF - Surface Mount
- RT - Recessed Trimless

 1. Canopy match the Cord color.  
 2. Specify Suspension length/color.

**LENS**

- OP - Opal
- AS - Asymmetric
- PR - Prismatic

**FINISH**

- BK - Black<sup>1</sup>
- WH - White<sup>2</sup>
- CF/RAL

 1. RAL 9005  
 2. RAL 9016  
 Specify required RAL number.

**CCT**

- 30K - 3000 Kelvin/90CRI
- 35K - 3500 Kelvin/90CRI
- 40K - 4000 Kelvin/90CRI
- RGBW<sup>1</sup>
- TW - Tunable White (27K-65K)<sup>2</sup>
- 

 1. Available with DMX or CB.  
 2. Available with DL2, DA4 or CB.  
 Specify required CCT.

**OPTIONS**

- No Options<sup>1</sup>
- EM - Emergency Battery Pack<sup>2</sup>
- DC - Dual Circuit<sup>3</sup>
- EC - Emergency Circuit
- DR - Damp Rated
- CB - Casambi Bluetooth(TW, RGBW)<sup>4</sup>
- DMX - DMX (RGBW)
- JD - JDRF Autonomy Sensor (DA4)<sup>4</sup>
- DOS - Daylight & Occupancy Sensor (DLA)<sup>4</sup>
- AWN - Athena Wireless Node (DLA)<sup>4</sup>

 1. Leave empty.  
 2. Battery Pack per 4 ft section.  
 3. Control Downlight/Uplight separately.  
 4. Available in sizes 4 ft and up.

**LUMEN OUTPUT W/ft:**

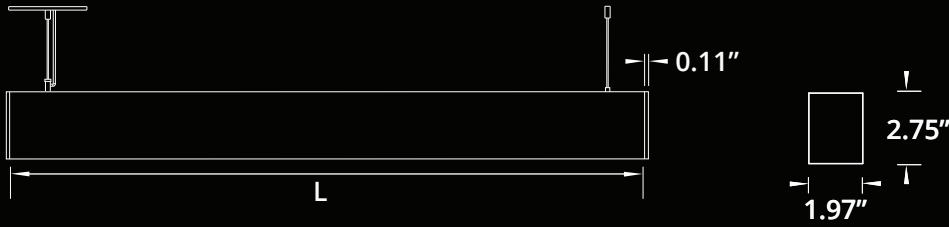
Watts	30K	35K	40K
5 W	515 lm	525 lm	535 lm
7 W	720 lm	735 lm	750 lm
10 W	1030 lm	1050 lm	1080 lm



Project:

Type:

**SIZE:**



Size	L
1 ft	11.50 in
2 ft	24.25 in
3 ft	35.25 in
4 ft	48.00 in
5 ft	59.00 in
6 ft	71.75 in
7 ft	82.75 in
8 ft	95.50 in

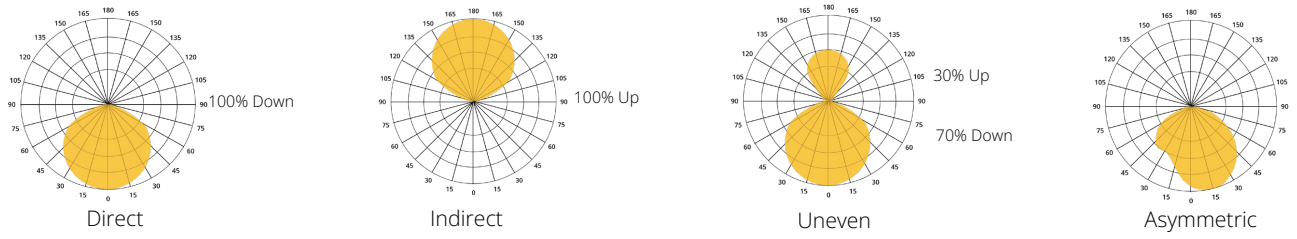
**CONTINUOUS RUN:**



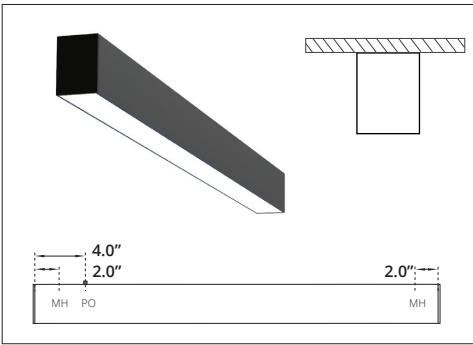
L - Linear extrusion length only.  
Total length with Endcaps = L + (2 x 0.11)

Continuous Run suspension dimensions  
L1 = L - 2.0 in

**RADIANCE:**

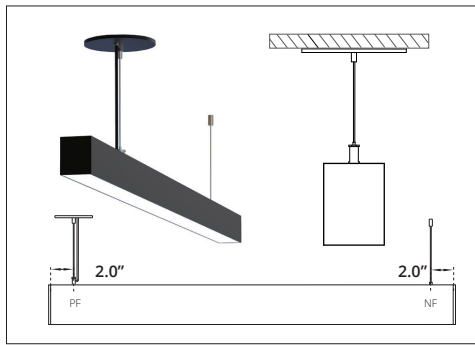


**MOUNTING:**



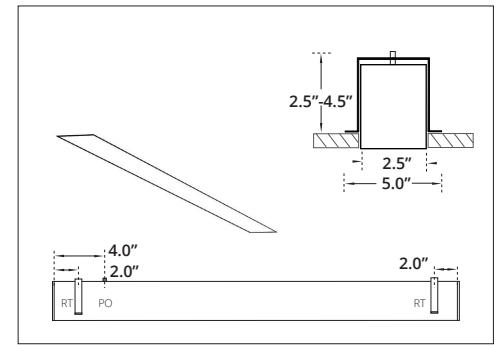
**SURFACE MOUNT**

MH - Mounting Hole  
PO - Power Opening



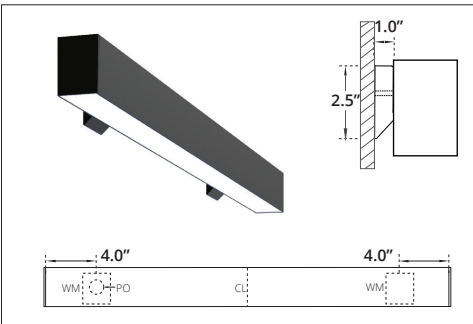
**SUSPENDED**

PF - Power Feed  
NF - Non Power Feed



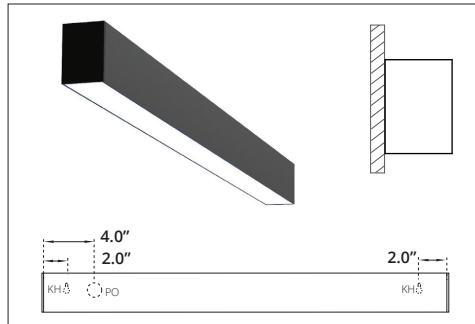
**RECESSED TRIMLESS**

RT - Recessed Trimless Bracket  
PO - Power Opening  
Cutout Dimensions = Total Length x Width of Extrusion.



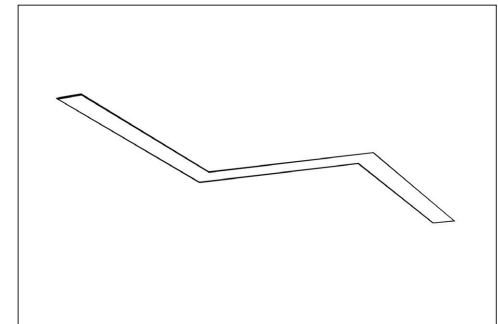
**WALL MOUNT**

PO - Power Opening  
WM - Wall Mount Bracket  
1-3 Ft, single Wall Mount Bracket with Power Opening in the centre.



**WALL FLUSH**

KH - Key Hole  
PO - Power Opening



**VARIABLE ANGLE**

60°, 90°, 120°, 135° or Custom.