

FEATURES:

- ✓ Architectural Y-shaped luminaire with direct distribution.
- ✓ Light source: 11" LED modular board.
- ✓ Dark Optic provides superior lighting distribution with precise low glare illumination.
- ✓ Offered with Flood 50°/10UGR or Wide Flood 80°/15UGR internal optics.
- ✓ Suitable for surface-mounted, suspended and recessed installations.
- ✓ Extruded aluminum body comes with a standard black or white finish.
- ✓ Also available in custom color option
- ✓ LEDs are rated for 60,000 hrs. L80 with +90 CRI
- ✓ Proven performance in office, commercial and retail installations.
- ✓ Custom modifications are available.
- ✓ ED luminaires are certified to CSA and UL standards.

reinventlight

SPECIFICATION:

ED TRIAD+

TYPE [] - SIZE [] - SOURCE [] - RADIANCE [] - VOLTAGE [] - DRIVER [] - MOUNTING [] - BEAM [] - REFLECTOR [] - FINISH [] - CCT [] - OPTION []

Enter the Product Code into the boxes above.

<p>TYPE</p> <p><input type="checkbox"/> DO - Dark Optic</p>	<p>SIZE</p> <p><input type="checkbox"/> [] ft 2-8 ft Arm length.</p>	<p>SOURCE</p> <p><input type="checkbox"/> 3 W/ft <input type="checkbox"/> 5 W/ft <input type="checkbox"/> 8 W/ft</p>	<p>RADIANCE</p> <p><input type="checkbox"/> DD - Direct</p>	<p>VOLTAGE</p> <p><input type="checkbox"/> UNV - 120/277V <input type="checkbox"/> 347V¹ 1. Verify availability.</p>	<p>DRIVER</p> <p><input type="checkbox"/> ST - On/Off <input type="checkbox"/> DL - 0-10V Dim (1%) <input type="checkbox"/> DLO - 0-10V Dim (to Off) <input type="checkbox"/> DLA - 0-10V Dim (Aux) <input type="checkbox"/> DA4 - DALI D4i <input type="checkbox"/> [] Specify dimming protocol.</p>	<p>MOUNTING</p> <p><input type="checkbox"/> S6B - 6ft Cord BK¹ <input type="checkbox"/> S6W - 6ft Cord WH¹ <input type="checkbox"/> S [] Feet² <input type="checkbox"/> SF - Surface Mount <input type="checkbox"/> RT - Recessed Trimless 1 Canopy match the Cord color. 2 Specify Suspension length/color.</p>
<p>BEAM</p> <p><input type="checkbox"/> BF - Flood 50° <input type="checkbox"/> BW - Wide 80°</p>	<p>REFLECTOR</p> <p><input type="checkbox"/> SB - Black <input type="checkbox"/> SW - White <input type="checkbox"/> SR - Red <input type="checkbox"/> SL - Silver <input type="checkbox"/> SG - Gold <input type="checkbox"/> SM - Gunmetal</p>	<p>FINISH</p> <p><input type="checkbox"/> BK - Black¹ <input type="checkbox"/> WH - White² <input type="checkbox"/> CF/RAL [] 1. RAL 9005 2. RAL 9016 Specify required RAL number.</p>	<p>CCT</p> <p><input type="checkbox"/> 30K - 3000 Kelvin/90CRI <input type="checkbox"/> 35K - 3500 Kelvin/90CRI <input type="checkbox"/> 40K - 4000 Kelvin/90CRI <input type="checkbox"/> [] Specify required CCT.</p>	<p>OPTIONS</p> <p><input type="checkbox"/> No Options¹ <input type="checkbox"/> EC - Emergency Circuit <input type="checkbox"/> CB - Casambi Bluetooth (DA4) <input type="checkbox"/> AWN - Athena Wireless Node (DLA) 1 Leave empty.</p>		

LUMEN OUTPUT W/ft:

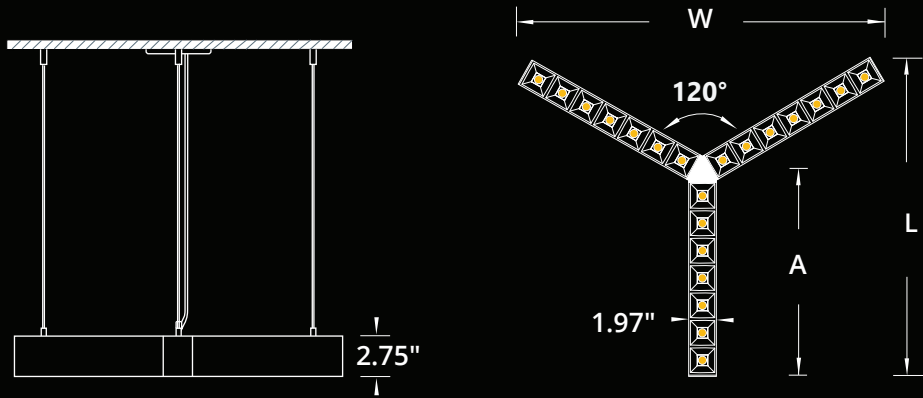
Watts	30K	35K	40K
3 W	395 lm	405 lm	415 lm
5 W	660 lm	675 lm	690 lm
8 W	1050 lm	1080 lm	1130 lm



Project: []

Type: []

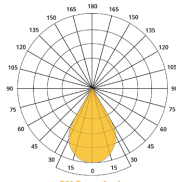
SIZE:



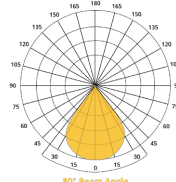
Size	A	L x W
2 ft	22.90 in	35.20 x 40.65 in
3 ft	33.90 in	51.70 x 59.70 in
4 ft	44.90 in	68.20 x 78.75 in
5 ft	55.90 in	84.70 x 97.80 in
6 ft	66.90 in	101.20 x 116.85 in
7 ft	77.90 in	117.70 x 135.90 in
8 ft	88.90 in	134.20 x 154.96 in

A - Arm Length includes the filler plate.
 L - Total Length
 W - Total Width

BEAM ANGLE:



Flood Beam



Wide Beam

REFLECTORS:

SQUARE



WHITE



SILVER



BLACK



GOLD

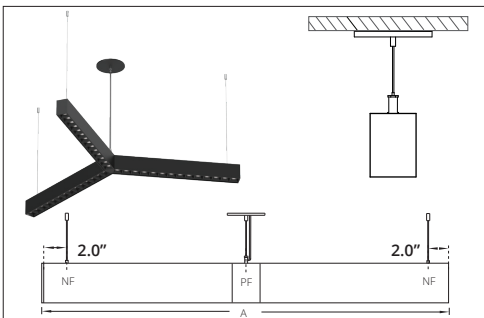


RED



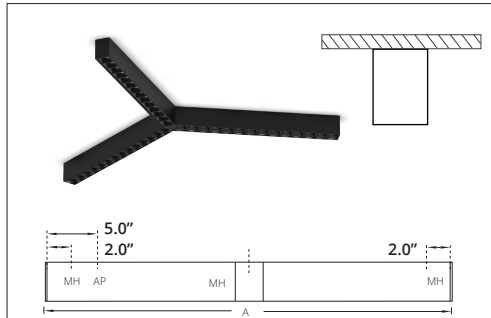
GUNMETAL

MOUNTING:



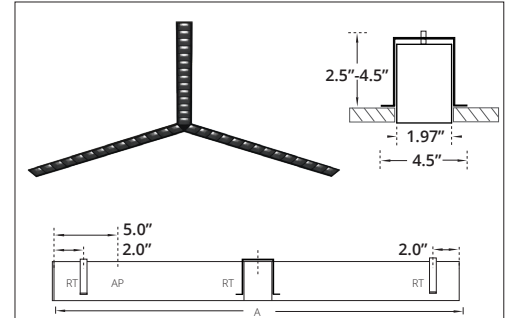
SUSPENDED

PF - Power Feed
 NF - Non Power Feed



SURFACE MOUNT

AP - Access Power Plate
 MH - Mounting Hole



RECESSED TRIMLESS

AP - Access Power Plate
 RT - Recessed Trimless Bracket
 Cutout Dimensions = Arm Length x Width of Extrusion.