

## FEATURES:

- ✓ Architectural luminaire with direct distribution.
- ✓ Light source: LED board or LED strip.
- ✓ Even illumination is provided by a high-efficiency opal lens.
- ✓ Suitable for surface-mounted, suspended, and recessed installations.
- ✓ Extruded aluminium body comes with a standard black or white finish.
- ✓ Also available in custom color option.
- ✓ LED strips are rated for 60,000 hrs. (L80) with 90+ CRI.
- ✓ Proven performance in office, commercial, and retail installations.
- ✓ Custom modifications are available.
- ✓ LED luminaires are certified to CSA and UL standards.

reinventlight

## SPECIFICATION:

**ED VERTEX+**  ANGLE  SIZE  SOURCE  RADIANCE  VOLTAGE  DRIVER  MOUNTING  LENS  FINISH  CCT  OPTIONS

Enter the Product Code into the boxes above.

### ANGLE

- 60°
- 90°
- 120°

### SIZE

\_\_\_\_\_ ft  
2-8 ft Arm length.

### SOURCE

- 5 W/ft
- 7 W/ft
- 10 W/ft

### RADIANCE

- DD - Direct

### VOLTAGE

- UNV - 120/277V
  - 347V<sup>1</sup>
1. Verify availability.

### DRIVER

- ST - On/Off
  - DL - 0-10V Dim (1%)
  - DLO - 0-10V Dim (to Off)
  - DL2 - 0-10V Dim (TW)
  - DLA - 0-10V Dim (Aux)
  - DA4 - DALI D4i (TW)
  - CV - Constant Voltage (RGBW)
  -
- Specify dimming protocol.

### MOUNTING

- S6B - 6ft Cord BK<sup>1</sup>
  - S6W - 6ft Cord WH<sup>1</sup>
  - S  ft<sup>2</sup>
  - SF - Surface Mount
  - RT - Recessed Trimless
1. Canopy match the Cord color.  
2. Specify Suspension length/color.

### LENS

- OP - Opal

### FINISH

- BK - Black<sup>1</sup>
  - WH - White<sup>2</sup>
  - CF/RAL
1. RAL 9005  
2. RAL 9016  
Specify required RAL number.

### CCT

- 30K - 3000 Kelvin/90CRI
  - 35K - 3500 Kelvin/90CRI
  - 40K - 4000 Kelvin/90CRI
  - RGBW<sup>1</sup>
  - TW - Tunable White (27K-65K)<sup>2</sup>
  -
1. Available with DMX or CB.  
2. Available with DL2, DA4 or CB.  
Specify required CCT.

### OPTIONS

- No Options<sup>1</sup>
  - EC - Emergency Circuit
  - CB - Casambi Bluetooth (TW, RGBW)
  - DMX - DMX (RGBW)
  - AWN - Athena Wireless Node (DLA)
1. Leave empty.

## LUMEN OUTPUT W/ft:

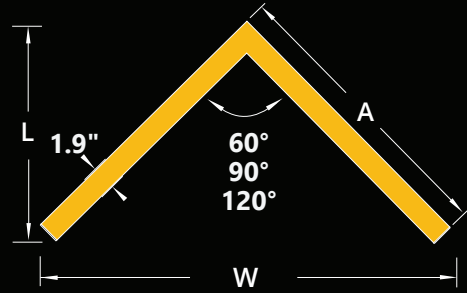
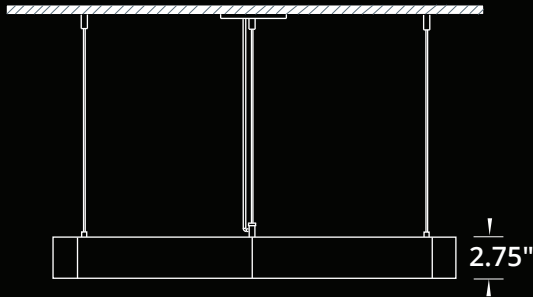
Watts	30K	35K	40K
5 W	515 lm	525 lm	535 lm
7 W	720 lm	735 lm	750 lm
10 W	1030 lm	1050 lm	1080 lm



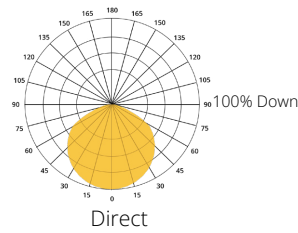
Project:

Type:

**SIZE:**



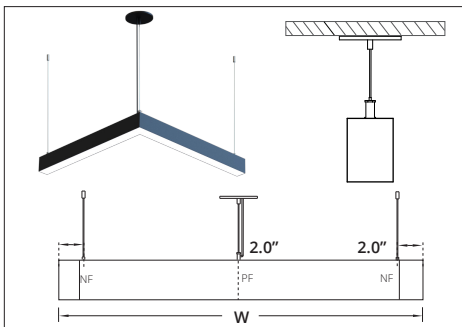
**RADIANCE:**



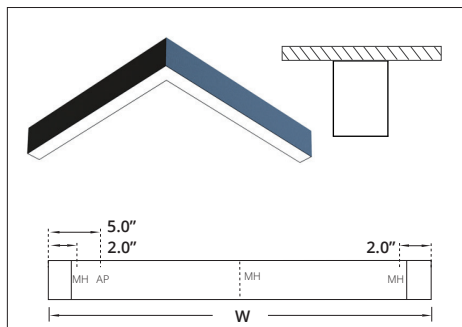
Angle	60°		90°		120°	
Size	A	L x W	A	L x W	A	L x W
2 ft	26.22	23.60 x 26.10	25.49	19.34 x 35.90	25.07	14.19 x 43.25
3 ft	37.22	33.12 x 37.10	36.99	27.12 x 51.46	36.07	19.69 x 62.30
4 ft	49.97	44.16 x 49.85	49.24	36.14 x 69.49	48.83	26.06 x 84.38
5 ft	60.97	53.68 x 60.85	60.24	43.91 x 85.04	59.83	31.56 x 103.44
6 ft	73.72	64.73 x 73.60	72.94	52.93 x 103.10	72.57	37.94 x 125.52
7 ft	84.72	74.25 x 84.60	83.99	60.71 x 118.63	83.57	43.44 x 144.57
8 ft	97.47	85.30 x 97.35	96.74	69.72 x 136.66	96.33	49.81 x 166.65

A - Arm Length  
L - Total Length  
W - Total Width  
All dimensions are in Inches.

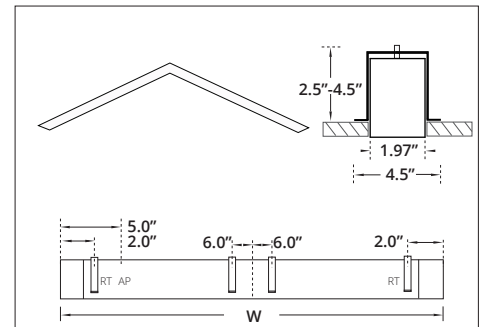
**MOUNTING:**



**SUSPENDED**  
PF - Power Feed  
NF - Non Power Feed



**SURFACE MOUNT**  
AP - Access Power Plate  
MH - Mounting Hole



**RECESSED TRIMLESS**  
AP - Access Power Plate  
RT - Recessed Trimless Bracket  
1. Cutout Dimensions = Arm Lengths x Width of Extrusion.