



FEATURES:

- ✓ Architectural luminaire with direct lighting distribution.
- ✓ Light source: COB LED.
- ✓ Low glare opal lens is built in to the integral specular reflector for even light distribution.
- ✓ Steel body of the luminaire with integral driver.
- ✓ Available with matt white, black or grey finish.
- ✓ LED Spot is rated for 60,000hrs. L70 with +90 CRI.
- ✓ Suitable for suspended installation.
- ✓ Has a proven record in office, commercial applications.
- ✓ Custom modifications are available.
- ✓ ED luminaires are certified to CSA and UL Standards.

reinventlight

SPECIFICATION:

ED PRO+ SOURCE — RADIANCE — VOLTAGE — DRIVER — MOUNTING — LENS — FINISH — CCT

Enter the Product Code into the boxes above.

SOURCE

- 10W LED
- 20W LED
- 30W LED

RADIANCE

- DD - Direct (100%Down)
- *Light Distribution.

VOLTAGE

- 120V
 - 277V
 - 347V*
- *Not available for all configurations.

DRIVER

- ST - Standard (Non-Dimming)
 - DL - 0-10V Dimming (1%)
 - DA - DALI
 - BT - Bluetooth
 - *
- * Please specify dimming method.

MOUNTING

- S4-Suspension 4Feet
- S6-Suspension 6Feet
- S Feet*
- SF - Surface Mount

*Please specify required Length.

LENS

- OP - Opal
- PR - Prismatic

FINISH

- WH - White
- BK - Black
- GR - Grey

CCT

- 30K/90CRI - 3000Kelvin
- 35K/90CRI - 3500Kelvin
- 40K/90CRI - 4000Kelvin

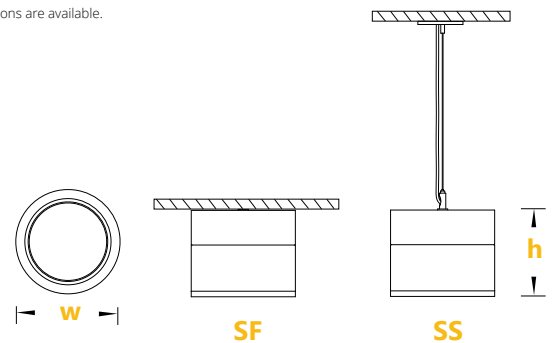
*Other options are available.

DIMENSIONS:

Height	Width
5.56"	7.50"

LUMEN OUTPUT:

Watts	30K	35K	40K
10W	975lm	1000 lm	1025 lm
20W	1950 lm	2000 lm	2050 lm
30W	2950 lm	3000 lm	3075 lm



Project: _____

Type: _____