
FEATURES:

- ✓ Architectural luminaire with direct distribution.
- ✓ Light source: LED board or LED strip.
- ✓ Even illumination is provided by a high-efficiency opal lens.
- ✓ Suitable for surface-mounted, suspended, and recessed installations.
- ✓ Extruded aluminium body comes with a standard black or white finish.
- ✓ Also available in custom color option.
- ✓ LED strips are rated for 60,000 hrs. (L80) with 90+ CRI.
- ✓ Proven performance in office, commercial, and retail installations.
- ✓ Custom modifications are available.
- ✓ LED luminaires are certified to CSA and UL standards.

reinventlight

SPECIFICATION:
ED HEXAGON+

 —
 —
 —
 —
 —
 —
 —
 —
 —

Enter the Product Code into the boxes above.

SIZE

 _____ ft
 2 - 8 ft.

SOURCE

- 5 W/ft
- 7 W/ft
- 10 W/ft

RADIANCE

- DD - Direct

VOLTAGE

- UNV - 120/277V
 - 347V ¹
1. Verify availability.

DRIVER

- ST - On/Off
 - DL - 0-10V Dim (1%)
 - DLO - 0-10V Dim (to Off)
 - DL2 - 0-10V Dim (TW)
 - DLA - 0-10V Dim (Aux)
 - DA4 - DALI D4i (TW)
 - CV - Constant Voltage (RGBW)
 -
- Specify dimming protocol.

MOUNTING

- S6B - 6ft Cord BK ¹
 - S6W - 6ft Cord WH ¹
 - S ft ²
 - SF - Surface Mount
 - RT - Recessed Trimless
1. Canopy match the Cord color.
2. Specify Suspension length/color.

LENS

- OP - Opal

FINISH

- BK - Black¹
 - WH - White²
 - CF/RAL
1. RAL 9005
2. RAL 9016
Specify required RAL number.

CCT

- 30K - 3000 Kelvin/90CRI
 - 35K - 3500 Kelvin/90CRI
 - 40K - 4000 Kelvin/90CRI
 - RGBW ¹
 - TW - Tunable White (27K-65K)²
 -
1. Available with DMX or CB.
2. Available with DL2, DA4 or CB.
Specify required CCT.

OPTIONS

- No Options¹
 - EC - Emergency Circuit
 - CB - Casambi Bluetooth (TW, RGBW)
 - DMX - DMX (RGBW)
 - AWN - Athena Wireless Node (DLA)
1. Leave empty.

LUMEN OUTPUT W/ft:

Watts	30K	35K	40K
5 W	515 lm	525 lm	535 lm
7 W	720 lm	735 lm	750 lm
10 W	1030 lm	1050 lm	1080 lm

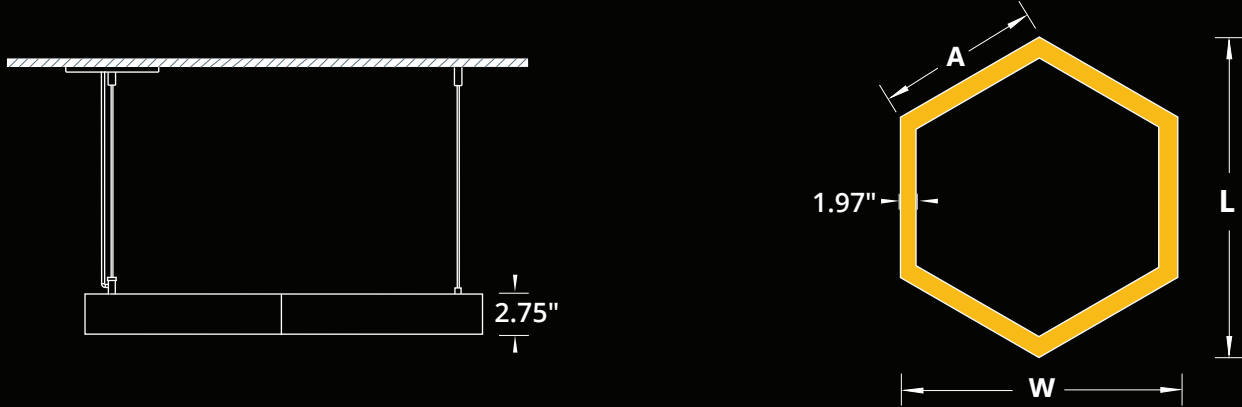


Declare.

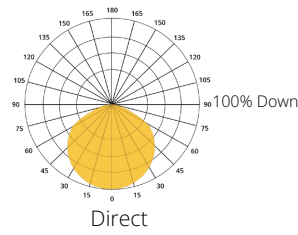
Project:

Type:

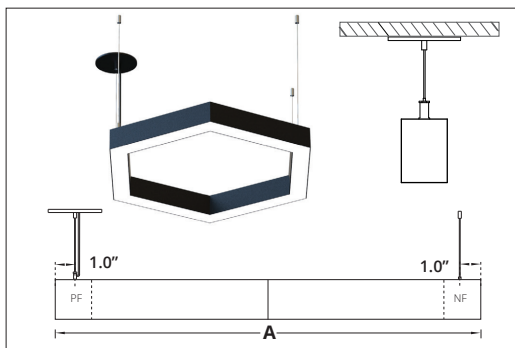
SIZE:



RADIANCE:

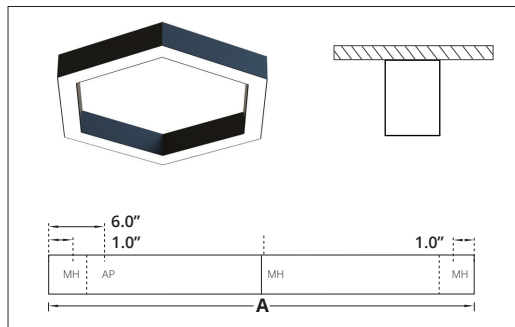


MOUNTING:



SUSPENDED

PF - Power Feed
NF - Non Power Feed

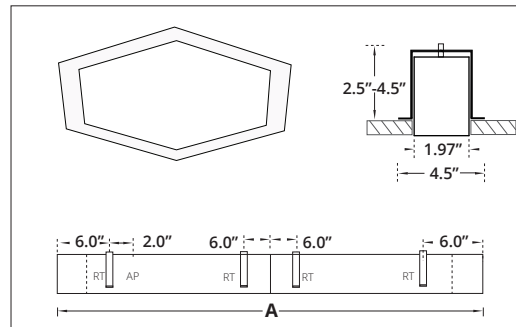


SURFACE MOUNT

AP - Access Power Plate
MH - Mounting Hole

Size	Arm - A		L x W ¹
2 ft	1.0 ft	12.84 in	25.67 x 22.23
3 ft	1.5 ft	18.34 in	36.67 x 31.76
4 ft	2.0 ft	25.60 in	51.17 x 31.76
5 ft	2.5 ft	31.08 in	62.17 x 53.84
6 ft	3.0 ft	35.60 in	73.17 x 63.37
7 ft	3.5 ft	42.08 in	84.17 x 72.90
8 ft	4.0 ft	49.34 in	98.67 x 85.45

A - Arm Length
L - Total Length
W - Total Width
1. All dimensions are in Inches.



RECESSED TRIMLESS

AP - Access Power Plate
RT - Recessed Trimless Bracket
Cutout Dimensions = Total Length x Width of Extrusion.