


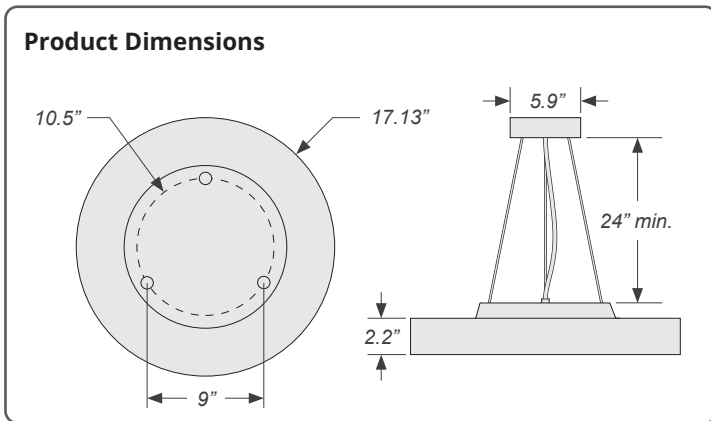
ED DISK+

Suspended Canopy - Direct Distribution

Safety & Warnings:

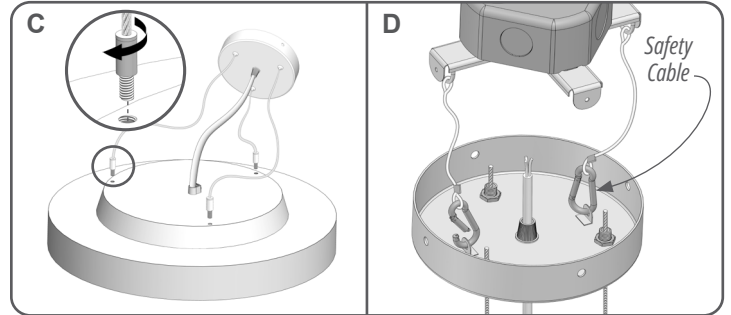
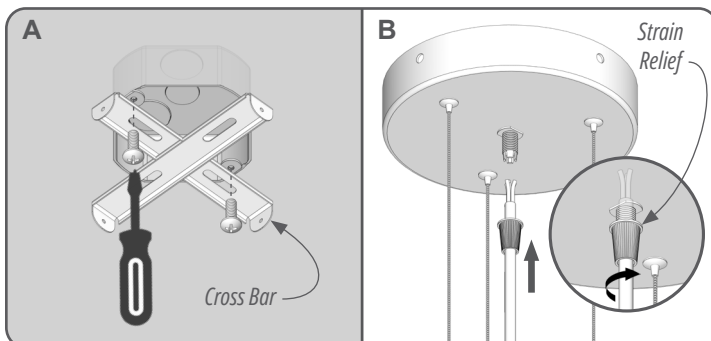
Risk of fire and electrical shock. Fixture must be installed by a qualified electrician only in accordance with national local building and electrical codes. Disconnect power at electrical panel before servicing. 

General contractor is responsible for the installation of appropriate anchors to support the load of the fixture at positions detailed in the installation manual. Installation of such anchors or other support systems must be completed in accordance with applicable building/installation code.

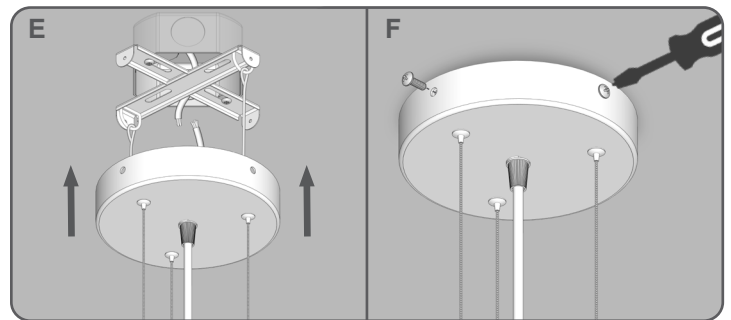


Steps:

1. Turn power off.
2. Remove cross bar from canopy kit and install onto J-box (fig. A).
3. Unscrew strain relief from canopy, then insert power cord through strain relief and canopy (fig. B).
4. Hand tighten strain relief back on canopy, leaving some slack inside (fig. B detail).



5. Attach suspension cables to light fixture via threaded grippers (x3) (fig. C).
6. Connect safety cable to bracket inside of canopy (x2) (fig. D).
7. Raise canopy & fixture to ceiling and make wiring connection (fig. E).
8. Before canopy is closed, set suspension cable to desired height and trim excess cable if necessary.



9. Make final adjustments to set desired height, then level. Raise: feed suspension cable into canopy. Lower: press gripper to release tension slow & carefully.
10. Align holes (x4) on side of canopy with the cross bar holes and secure with screws (fig. F).
11. Turn power on and test fixture.

