

FEATURES:

- ✓ Architectural luminaire with direct distribution.
- ✓ Light source: LED board or LED strip.
- ✓ Even illumination is provided by a high-efficiency opal lens.
- ✓ Suitable for surface-mounted, suspended, and recessed installations.
- ✓ Extruded aluminium body comes with a standard black or white finish.
- ✓ Also available in custom color option.
- ✓ LED strips are rated for 60,000 hrs. (L80) with 90+ CRI.
- ✓ Proven performance in office, commercial, and retail installations.
- ✓ Custom modifications are available.
- ✓ ED luminaires are certified to CSA and UL standards.

reinventlight

SPECIFICATION:

ED SQUARE+ - - - - - - - - - -

Enter the Product Code into the boxes above.

SIZE

_____ ft
2-8 ft Arm length.

SOURCE

- 5 W/ft
- 7 W/ft
- 10 W/ft

RADIANCE

- DD - Direct

VOLTAGE

- UNV - 120/277V
 - 347V ¹
1. Verify availability.

DRIVER

- ST - On/Off
 - DL - 0-10V Dim (1%)
 - DLO - 0-10V Dim (to Off)
 - DL2 - 0-10V Dim (TW)
 - DLA - 0-10V Dim (Aux)
 - DA4 - DALI D4i (TW)
 - CV - Constant Voltage (RGBW)
 -
- Specify dimming protocol.

MOUNTING

- S6B - 6ft Cord BK ¹
 - S6W - 6ft Cord WH ¹
 - S ft ²
 - SF - Surface Mount
 - RT - Recessed Trimless
1. Canopy match the Cord color.
2. Specify Suspension length/color.

LENS

- OP - Opal

FINISH

- BK - Black¹
 - WH - White²
 - CF/RAL
1. RAL 9005
2. RAL 9016
Specify required RAL number.

CCT

- 30K - 3000 Kelvin/90CRI
 - 35K - 3500 Kelvin/90CRI
 - 40K - 4000 Kelvin/90CRI
 - RGBW¹
 - TW - Tunable White (27K-65K)²
 -
1. Available with DMX or CB.
2. Available with DL2, DA4 or CB.
Specify required CCT.

OPTIONS

- No Options¹
 - EC - Emergency Circuit
 - CB - Casambi Bluetooth (TW, RGBW)
 - DMX - DMX (RGBW)
 - AWN - Athena Wireless Node (DLA)
1. Leave empty.

LUMEN OUTPUT W/ft:

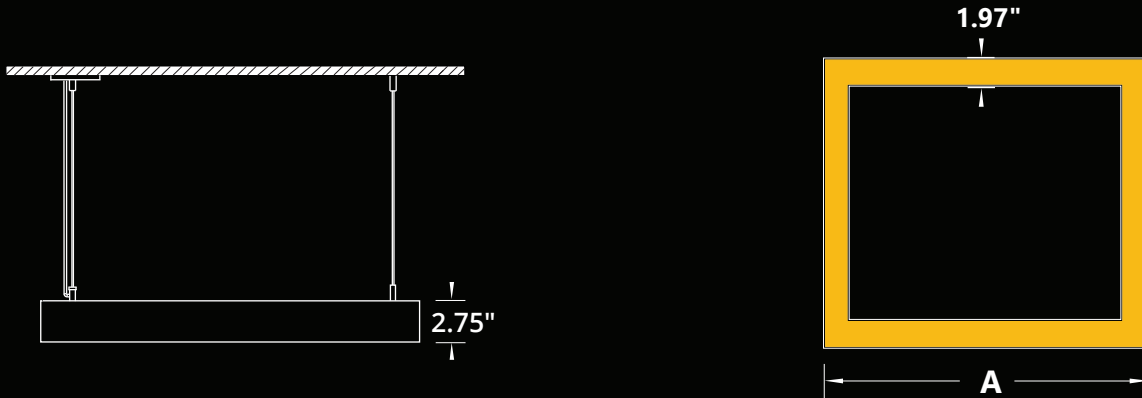
Watts	30K	35K	40K
5 W	515 lm	525 lm	535 lm
7 W	720 lm	735 lm	750 lm
10 W	1030 lm	1050 lm	1080 lm



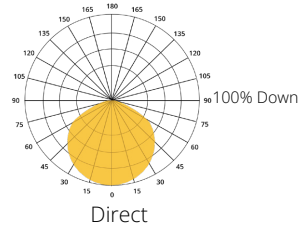
Project:

Type:

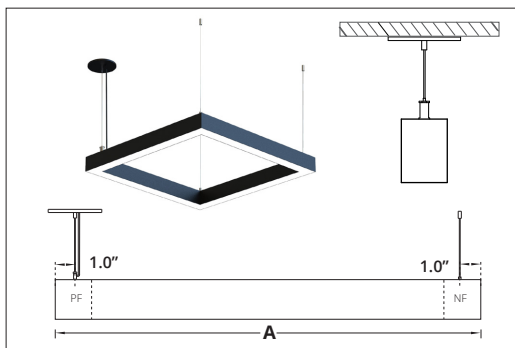
SIZE:



RADIANCE:



MOUNTING:

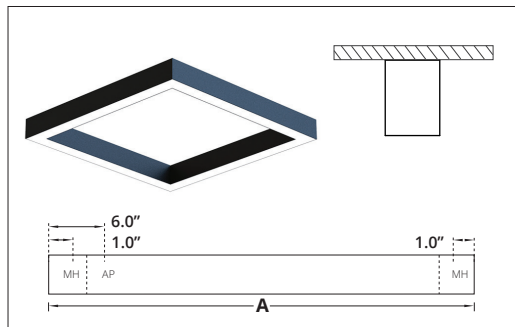


SUSPENDED

PF - Power Feed
NF - Non Power Feed

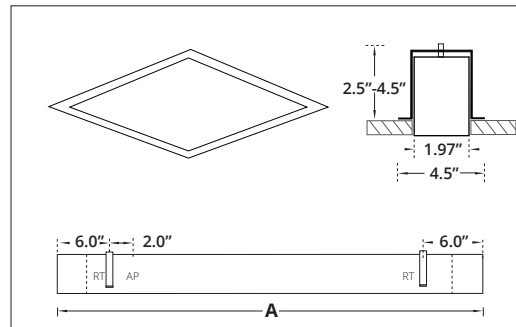
Size	A
2 ft	26.42 in
3 ft	37.42 in
4 ft	50.20 in
5 ft	61.20 in
6 ft	73.92 in
7 ft	84.92 in
8 ft	97.67 in

A - Arm Length



SURFACE MOUNT

AP - Access Power Plate
MH - Mounting Hole



RECESSED TRIMLESS

AP - Access Power Plate
RT - Recessed Trimless Bracket
Cutout Dimensions = Total Length x Width of Extrusion.