

FEATURES:

- ✓ Architectural Y-shaped luminaire with direct distribution.
- ✓ Light source: 11" LED modular board.
- ✓ Dark Optic provides superior lighting distribution with precise low glare illumination.
- ✓ Offered with Flood 50°/10UGR or Wide Flood 80°/15UGR internal optic.
- ✓ Suitable for surface, suspended and recessed installations.
- ✓ Extruded aluminum body comes with a black or white finish.
- ✓ Also available with custom color options.
- ✓ LEDs are rated for 60,000 hrs. L80 with +90 CRI
- ✓ Has a proven record in office, commercial and retail installations.
- ✓ Custom modifications are available.
- ✓ ED luminaires are certified to CSA and UL standards.

reinventlight

SPECIFICATION:

ED TRIAD+

TYPE — SIZE — SOURCE — RADIANCE — VOLTAGE — DRIVER — MOUNTING — BEAM — REFLECTOR — FINISH — CCT — OPTION

Enter the Product Code into the boxes above.

TYPE

- DO - Dark Optic

SIZE

- ft
2-8 ft Arm length.

SOURCE

- 3 W/ft
- 5 W/ft
- 8 W/ft

RADIANCE

- DD - Direct

VOLTAGE

- UNV - 120/277V
- 347V¹
1. Verify availability.

DRIVER

- ST - On/Off
 - DL - 0-10V Dim (1%)
 - DLO - 0-10V Dim (to Off)
 - DLA - 0-10V Dim (Aux)
 - DA4 - DALI D4i
 -
- Specify dimming protocol.

MOUNTING

- S6B - 6ft Cord BK¹
 - S6W - 6ft Cord WH¹
 - S Feet²
 - SF - Surface Mount
 - RT - Recessed Trimless
- ¹ Canopy match the Cord color.
² Specify Suspension length/color.

BEAM

- BF - Flood 50°
- BW - Wide 80°

REFLECTOR

- SB - Black
- SW - White
- SR - Red
- SL - Silver
- SG - Gold
- SM - Gunmetal

FINISH

- BK - Black¹
 - WH - White²
 - CF/RAL
- ¹ RAL 9005
² RAL 9016
Specify required RAL number.

CCT

- 30K - 3000 Kelvin/90CRI
 - 35K - 3500 Kelvin/90CRI
 - 40K - 4000 Kelvin/90CRI
 -
- Specify required CCT.

OPTIONS

- No Options¹
 - EC - Emergency Circuit
 - CB - Casambi Bluetooth
 - JD - JDRF Autonomy Sensor (DA4)
 - DOS - Daylight & Occupancy Sensor (DLA)
 - AWN - Athena Wireless Node (DLA)
- ¹ Leave empty.

LUMEN OUTPUT W/ft:

Watts	30K	35K	40K
3 W	395 lm	405 lm	415 lm
5 W	660 lm	675 lm	690 lm
8 W	1050 lm	1080 lm	1130 lm

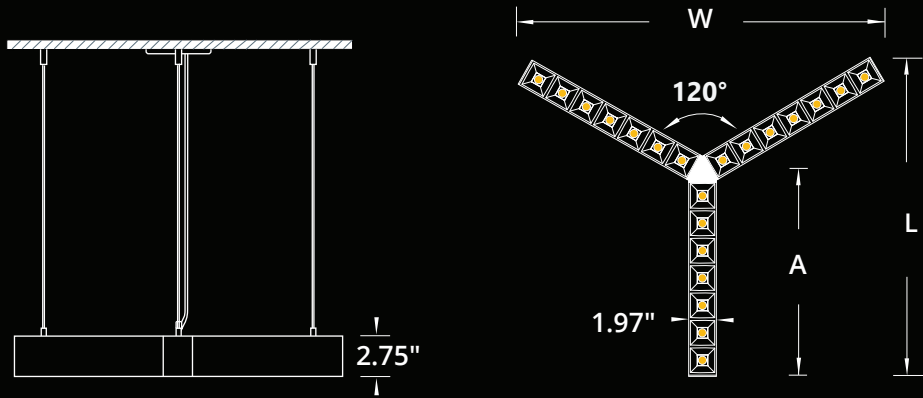


Declare.

Project:

Type:

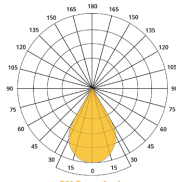
SIZE:



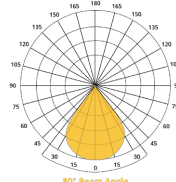
Size	A	L x W
2 ft	22.90 in	35.20 x 40.65 in
3 ft	33.90 in	51.70 x 59.70 in
4 ft	44.90 in	68.20 x 78.75 in
5 ft	55.90 in	84.70 x 97.80 in
6 ft	66.90 in	101.20 x 116.85 in
7 ft	77.90 in	117.70 x 135.90 in
8 ft	88.90 in	134.20 x 154.96 in

A - Arm Length includes the filler plate.
 L - Total Length
 W - Total Width

BEAM ANGLE:



Flood Beam



Wide Beam

REFLECTORS:

SQUARE



WHITE



SILVER



BLACK



GOLD

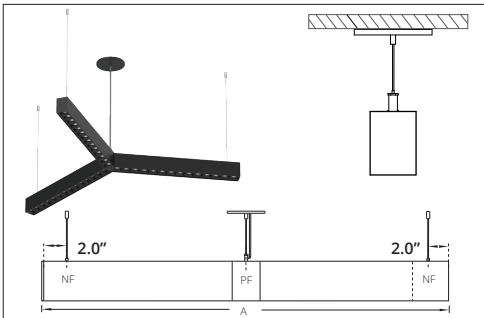


RED



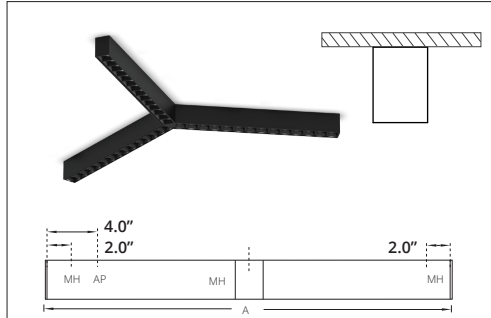
GUNMETAL

MOUNTING:



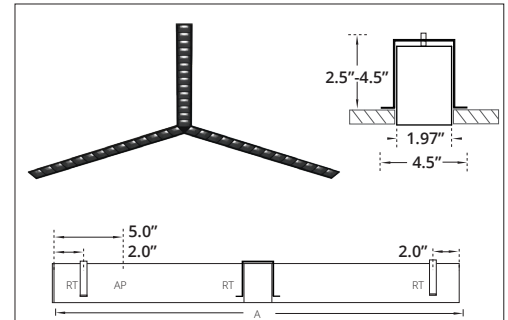
SUSPENDED

PF - Power Feed
 NF - Non Power Feed



SURFACE MOUNT

AP - Access Power Plate
 MH - Mounting Hole



RECESSED TRIMLESS

AP - Access Power Plate
 RT - Recessed Trimless Bracket
 Cutout Dimensions = Arm Length x Width of Extrusion.